

MURRAY

®

MURRAY CORPORATION Clamping Solutions

T-Bolt Clamps - SAE Type "TB"

Murray T-Bolt band clamps are designed to provide connections without leaks. They are typically installed in truck exhaust or air inlet and water hoses, motorcycle exhaust systems, marine applications, irrigation system hoses, water pump hoses and filter bags. Band edges are rounded to protect the hose.

TB series clamps use a plated steel bolt and self-locking nut. The balance of the components are made from 300 series stainless steel.

TBSS series clamps are made entirely from 300 series stainless steel. Clamps are also available in 316 Stainless Steel as special order items.

Maximum service temperature for locknut is 250° (F).

High temp locknuts by special order.



Rated Ultimate Torque:

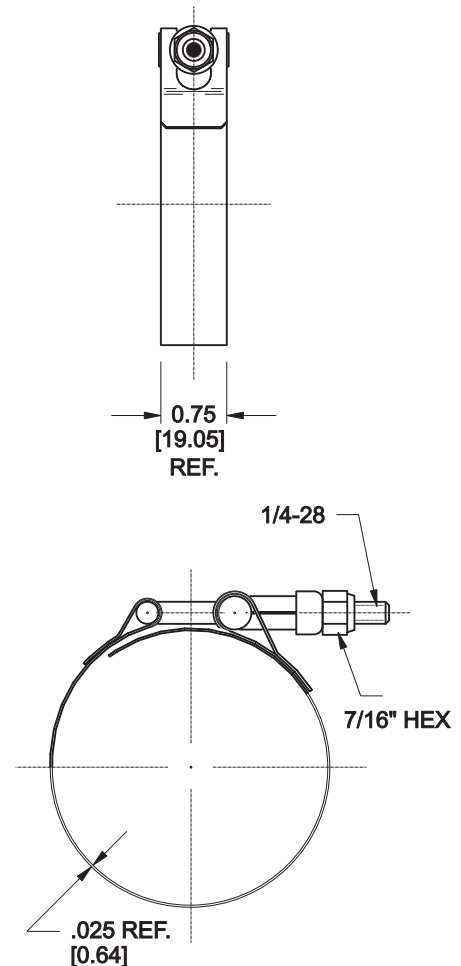
Plated Steel Bolt & Nut: 90in.lbs. min. (10.2Nm)
300 Series Stainless Bolt & Nut: 75in.lbs. min. (8.5Nm)

Recommended Installation Torque:

Plated Steel Bolt & Nut: 50-60in.lbs. (5.6 - 6.8Nm)
300 Series Stainless Bolt & Nut: 50-60in.lbs. (5.6 - 6.8Nm)

Double Plated Bolt & Nut	"300" Series Stainless	Nominal	Inches		Millimeters		
			Max.	Min.	Nominal	Min.	Max.
TB156	TB156SS	1.50	1.31	1.56	38	33	40
TB187	TB187SS	1.75	1.62	1.87	44	41	47
TB206	TB206SS	2.00	1.81	2.06	51	46	52
TB225	TB225SS	2.15	1.94	2.25	55	49	57
TB237	TB237SS	2.25	2.06	2.37	57	52	60
TB250	TB250SS	2.40	2.19	2.50	61	56	64
TB262	TB262SS	2.50	2.31	2.62	64	59	67
TB287	TB287SS	2.75	2.56	2.87	70	65	73
TB312	TB312SS	3.00	2.81	3.12	76	71	79
TB337	TB337SS	3.25	3.06	3.37	83	78	86
TB359	TB359SS	3.50	3.28	3.59	89	83	91
TB387	TB387SS	3.78	3.56	3.87	96	90	98
TB394	TB394SS	3.85	3.63	3.94	98	92	100
TB412	TB412SS	4.00	3.81	4.12	102	97	105
TB437	TB437SS	4.25	4.06	4.37	108	103	111
TB462	TB462SS	4.50	4.31	4.62	114	109	117
TB487	TB487SS	4.75	4.56	4.87	121	116	124
TB512	TB512SS	5.00	4.81	5.12	127	122	130
TB537	TB537SS	5.25	5.06	5.37	133	129	136
TB562	TB562SS	5.50	5.31	5.62	140	135	143
TB587	TB587SS	5.75	5.56	5.87	146	141	149
TB612	TB612SS	6.00	5.81	6.12	152	148	155
TB637	TB637SS	6.25	6.06	6.37	159	154	162
TB662	TB662SS	6.50	6.31	6.62	165	160	168
TB687	TB687SS	6.75	6.56	6.87	171	167	174
TB712	TB712SS	7.00	6.81	7.12	178	173	181
TB737	TB737SS	7.25	7.06	7.37	184	179	187
TB762	TB762SS	7.50	7.31	7.62	191	186	194
TB787	TB787SS	7.75	7.56	7.87	197	192	200
TB812	TB812SS	8.00	7.81	8.12	203	198	206
TB837	TB837SS	8.25	8.06	8.37	210	205	213
TB919	TB919SS	9.00	8.61	9.19	229	219	233
TB1113	TB1113SS	11.00	10.55	11.13	279	268	283
TB1313	TB1313SS	13.00	12.55	13.13	330	319	334

Other sizes are available. Please contact Murray for more information.



260 Schilling Circle • Hunt Valley, MD, 21031, USA — Ph: 410-771-0380 • Fax: 410-771-5576

www.murraycorp.com • email: sales@murraycorp.com