

MURRAY

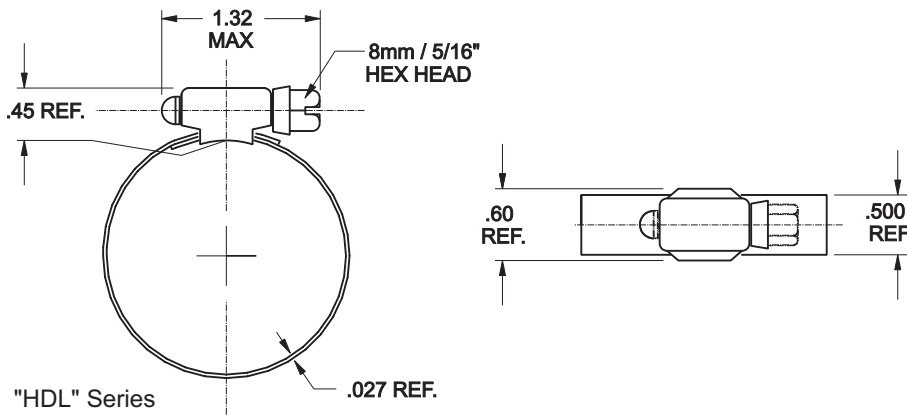
®

MURRAY CORPORATION Clamping Solutions

HDL High Torque Series Clamps - SAE Type "F"

Murray Corporation precision-engineered specialty clamps for various applications. OEM quantities are available directly from Murray.

All 316 series stainless steel clamp. 1/2" inch wide band is thicker than standard worm drive clamp. This construction yields superior performance and longevity in corrosive environments. Applications include plumbing, water well, municipal storm drain systems, irrigation, marine, transportation and petro-chemical.



Rated Ultimate Torque:

316 Stainless Screw 87in.lbs. min. (9.8Nm)

Recommended Installation Torque:

316 Stainless Screw 45-65in.lbs. (5.1 - 7.3Nm)

		"A" Diameter Range					
SAE Size	Part Number	Decimals		Inches		Millimeters	
6	HDL 6SS	.44	.78	7/16	25/32	11	20
8	HDL 8SS	.44	.91	7/16	29/32	11	23
10	HDL 10SS	.56	1.06	9/16	1-1/16	14	27
12	HDL 12SS	.69	1.25	11/16	1-1/4	18	32
16	HDL 16SS	.75	1.50	3/4	1-1/2	19	38
20	HDL 20SS	.81	1.75	13/16	1-3/4	21	44
24	HDL 24SS	1.06	2.00	1-1/16	2	27	51
28	HDL 28SS	1.31	2.25	1-5/16	2-1/4	33	57
32	HDL 32SS	1.56	2.50	1-9/16	2-1/2	40	64
36	HDL 36SS	1.81	2.75	1-13/16	2-3/4	46	70
40	HDL 40SS	2.06	3.00	2-1/16	3	52	76
44	HDL 44SS	2.31	3.25	2-5/16	3-1/4	59	83
48	HDL 48SS	2.56	3.50	2-9/16	3-1/2	65	89
52	HDL 52SS	2.81	3.75	2-13/16	3-3/4	71	95
56	HDL 56SS	3.06	4.00	3-1/16	4	78	102
60	HDL 60SS	3.31	4.25	3-5/16	4-1/4	84	108
64	HDL 64SS	3.56	4.50	3-9/16	4-1/2	90	114
72	HDL 72SS	4.06	5.00	4-1/16	5	103	127
80	HDL 80SS	4.56	5.50	4-9/16	5-1/2	116	140
88	HDL 88SS	5.06	6.00	5-1/16	6	129	152
96	HDL 96SS	5.56	6.50	5-9/16	6-1/2	141	165
104	HDL 104SS	6.06	7.00	6-1/16	7	154	178
116	HDL 116SS	6.50	7.75	6-1/2	7-3/4	165	197

HDL clamp sizes are available on special order only. Ask your Murray representative for price and availability.



260 Schilling Circle • Hunt Valley, MD, 21031, USA — Ph: 410-771-0380 • Fax: 410-771-5576

www.murraycorp.com • email: sales@murraycorp.com